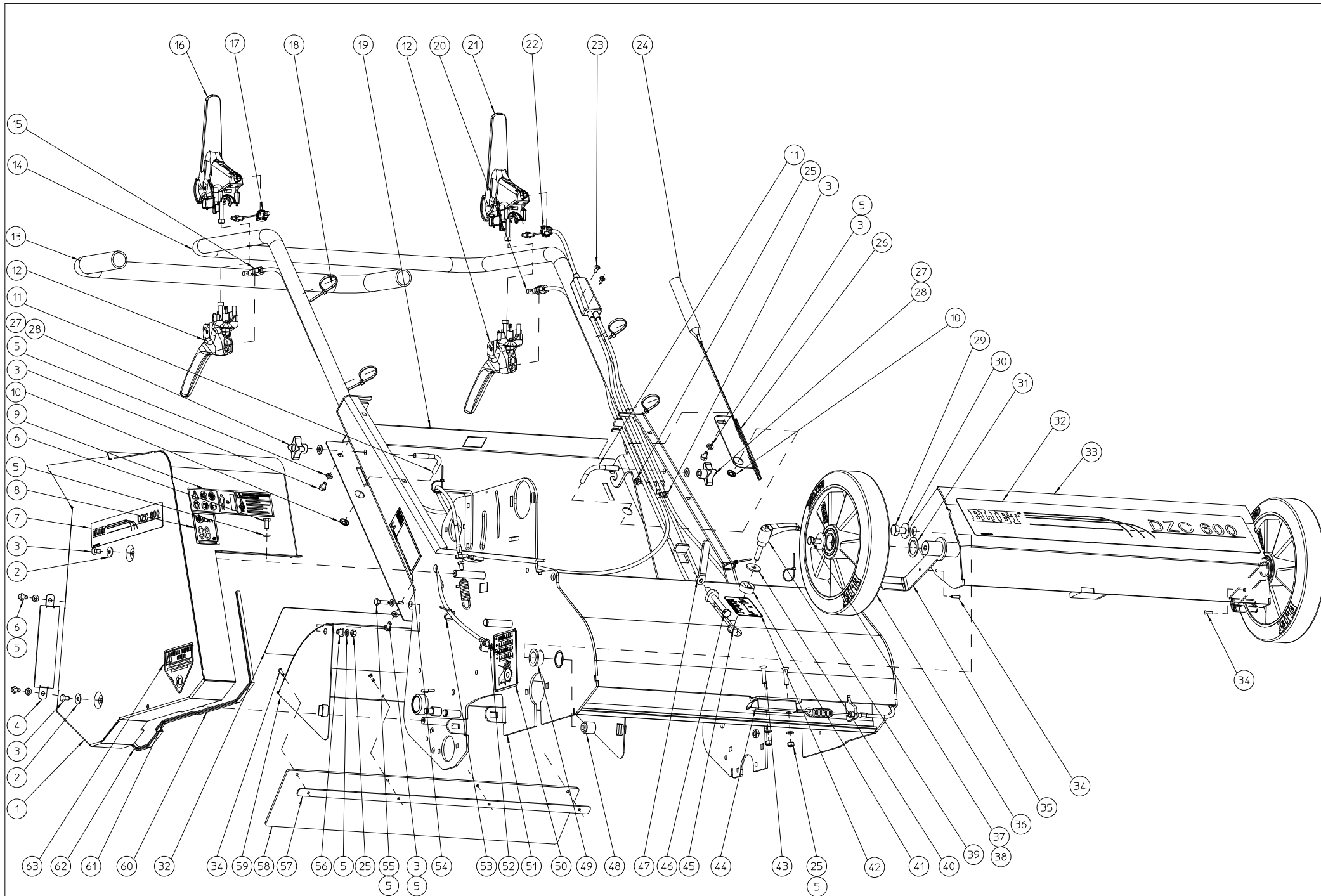


ELIET DZC600 -- GENERAL V2017					
NO	MMA 01 420 400	REV	1	DATE	2019/10/01

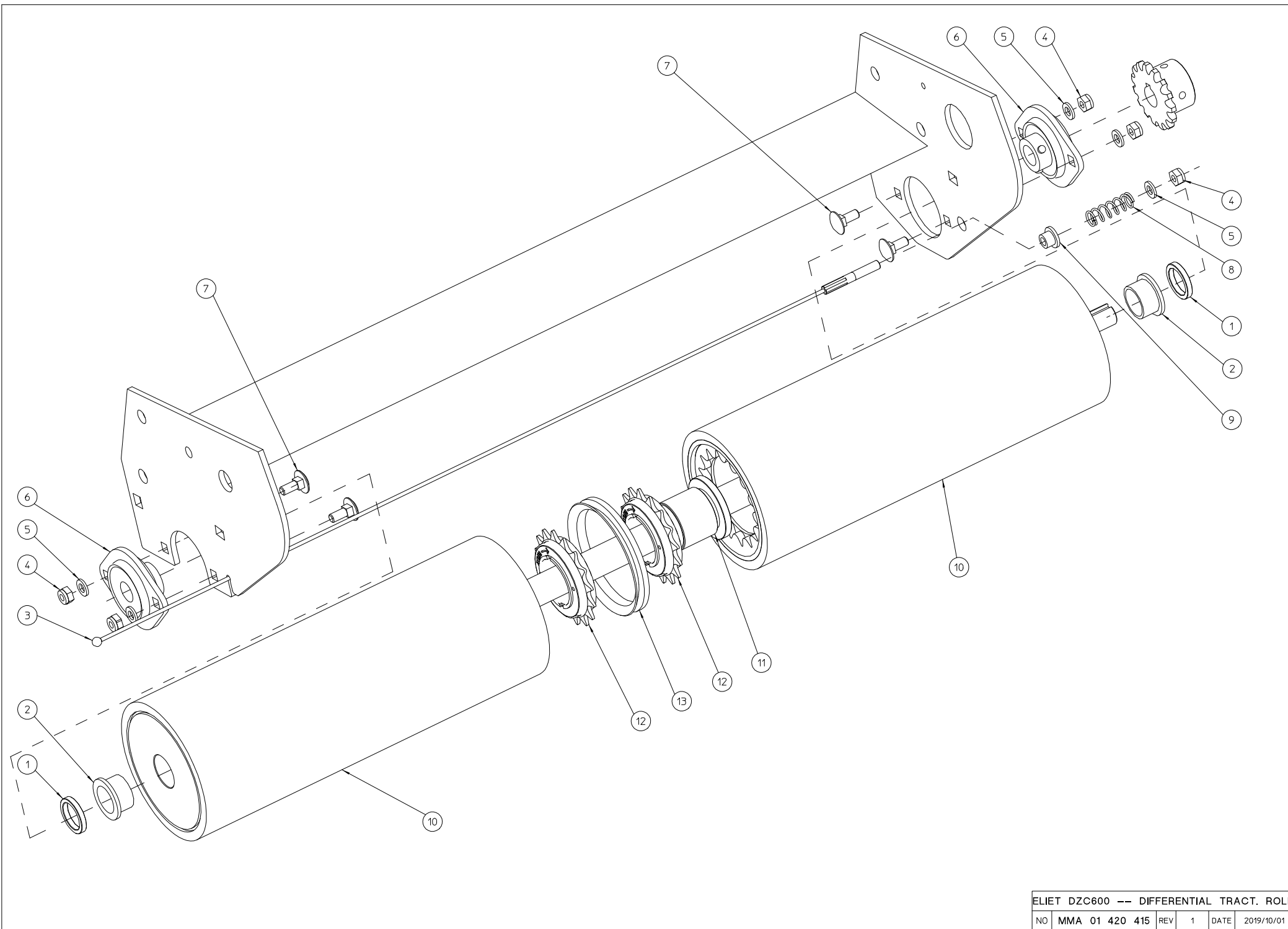
#	Order nr	article description	quantity
410	MMA 01 420 410	frame	1
415	MMA 01 420 415	traction roller with differential	1
420	MMA 01 420 420	bladeshaft	1
430	MMA 01 420 430	seeding unit	1
440	MMA 01 420 440	drive blade shaft	1
450	MMA 01 420 450	drive tractionroll	1
460	MMA 01 420 460	options	1
470	MMA 01 420 470	archimedess screw drive	1
480	MMA 01 420 480	drainer protection plate dosing unit	1
490	MMA 01 420 490	seed flow regulation	1



ELIET DZC600 -- CHASSIS						
NO	MMA 01 420 410	REV	3	DATE	2019/10/01	

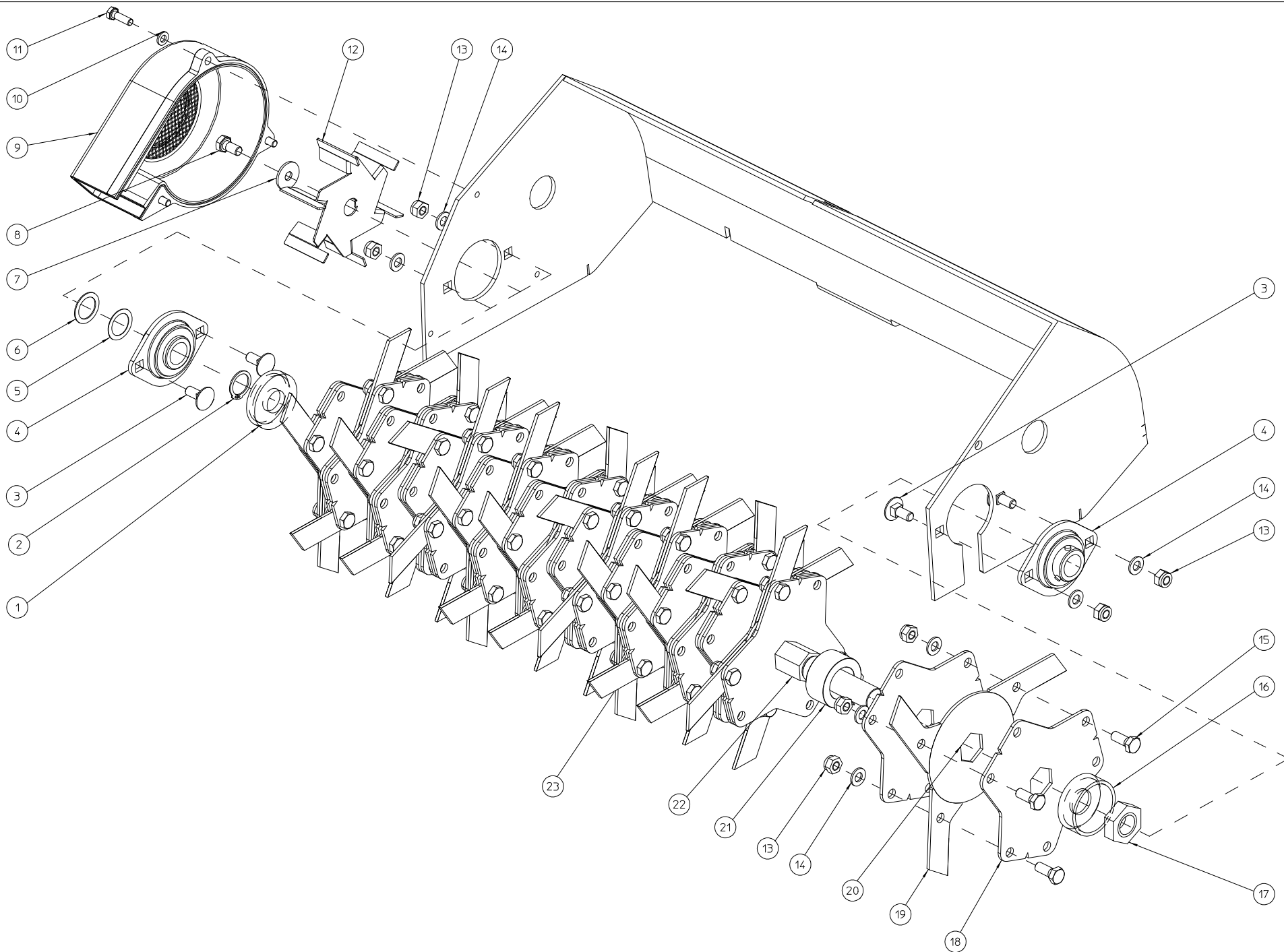
#	Order nr	article description	quantity
1	MPA 01 420 540	transmission guard	1
2	BS 532 006 183	washer m6x18x1.5	2
3	BS 512 000 610	bolt m6x10 din 933	8
4	MPA 01 420 605	cover plate	1
5	BS 531 000 600	washer m6 din 125	13
6	BS 512 000 614	bolt m6x14 din 933	3
7	BQ 501 251 010	label-dzc600 250x44	1
8	BQ 505 112 098	sticker sound level 98 db	1
9	BQ 505 010 171	safety sticker 70x115 (pictogram)	1
10	BB 011 000 070	starlock 7mm	2
11	MPA 01 420 095	steer clamp	2
12	BN 332 500 870	lever black	2
13	BN 231 002 085	soft rubber grip dia 24.5mm (l=805mm)	1
14	MPA 01 420 580	handlebars	1
15	BK 153 181 216	control cable tractionroll	1
16	BN 332 500 570	lever red dzc 600	1
17	BK 153 181 373	closed control cable	1
18	BE 043 010 140	wrap tie 140x3.5	4
19	MPA 01 420 600	rear cover	1
20	BK 153 181 941	cable operating latch	1
21	BN 332 500 670	lever yellow dzc 600	1
22	BK 153 181 795	control cable + drive with duplicator 1795mm	1
23	BB 221 005 100	pop plug steel 4.8x10 din 7337 a	2
24	MPA 01 350 495	roll purifier	1
25	BS 502 000 600	self locking nut m6 din 985	6
26	MPA 01 350 605	holder roll cleaner e600	1
27	BS 531 000 800	washer m8 din 125	6
28	BN 630 808 400	lob knob 188-40 m8	2
29	BS 512 001 016	bolt m10x16 din 933	2
30	BS 532 010 274	washer m10x27x2	2
31	BS 036 002 510	fitting ring 25x35x1mm din 988	2
32	BQ 501 251 020	label-dzc600 250x44	2
33	MPA 01 420 460	hinge shell wheels	1
34	BB 221 104 140	pop plug alu 3.9x14 din 7337 a	6
35	MPA 01 420 100	wheel scraper	2
36	BW 325 025 000	rear wheel alu 250/50-60 (e 501 pro)	2
37	BS 512 000 820	bolt m8x20 din 933	2
38	BS 532 008 306	washer m8x30x3	2
39	BN 530 108 305	clamp levers	1
40	BS 532 008 254	washer m8x25x2	1
41	MPA 01 420 585	stroke end depth adjustment	1
42	BQ 501 251 080	sticker height adjustment knives	1
43	BS 522 100 630	screw m6x30 din 7991	2
44	BO 360 505 180	draw-bolt 0°	1
45	BS 007 100 800	nut m8 din 508	1
46	BS 512 000 848	bolt m8x80 din 933	1
47	MPA 01 420 535	locking lever depth adjustment	1
48	MPA 01 420 105	hinge axis shell	2
49	BR 112 201 500	nylon bushing with collar (20/24/30x15/2)	2
50	BQ 505 010 130	safety sticker 100x80 (belt transmission)	1
51	MPA 01 420 530	chassis	1
52	BS 501 900 600	nut m6 din 439	1

53	BE 043 010 100	wrap tie 100x2.5	4
54	BQ 505 010 010	identity sticker ce 120x30	1
55	BS 512 000 620	bolt m6x20 din 933	2
56	BR 112 060 800	nylon bushing with collar (6/10/15x8.5/2)	2
57	MPA 01 420 330		1
58	BR 900 001 680	rubber	1
59	MPA 01 420 115	protective shell behind	1
60	BR 000 910 370	rubber u-moulding 370mm	1
61	BR 000 910 130	rubber u-moulding 130mm	1
62	BR 000 910 700	rubber u-moulding 700mm	1
63	BQ 505 010 070	safety sticker 100x80 (hand cuts)	1



ELIET DZC600 -- DIFFERENTIAL TRACT. ROLL				
NO	MMA 01 420 415	REV	1	DATE 2019/10/01

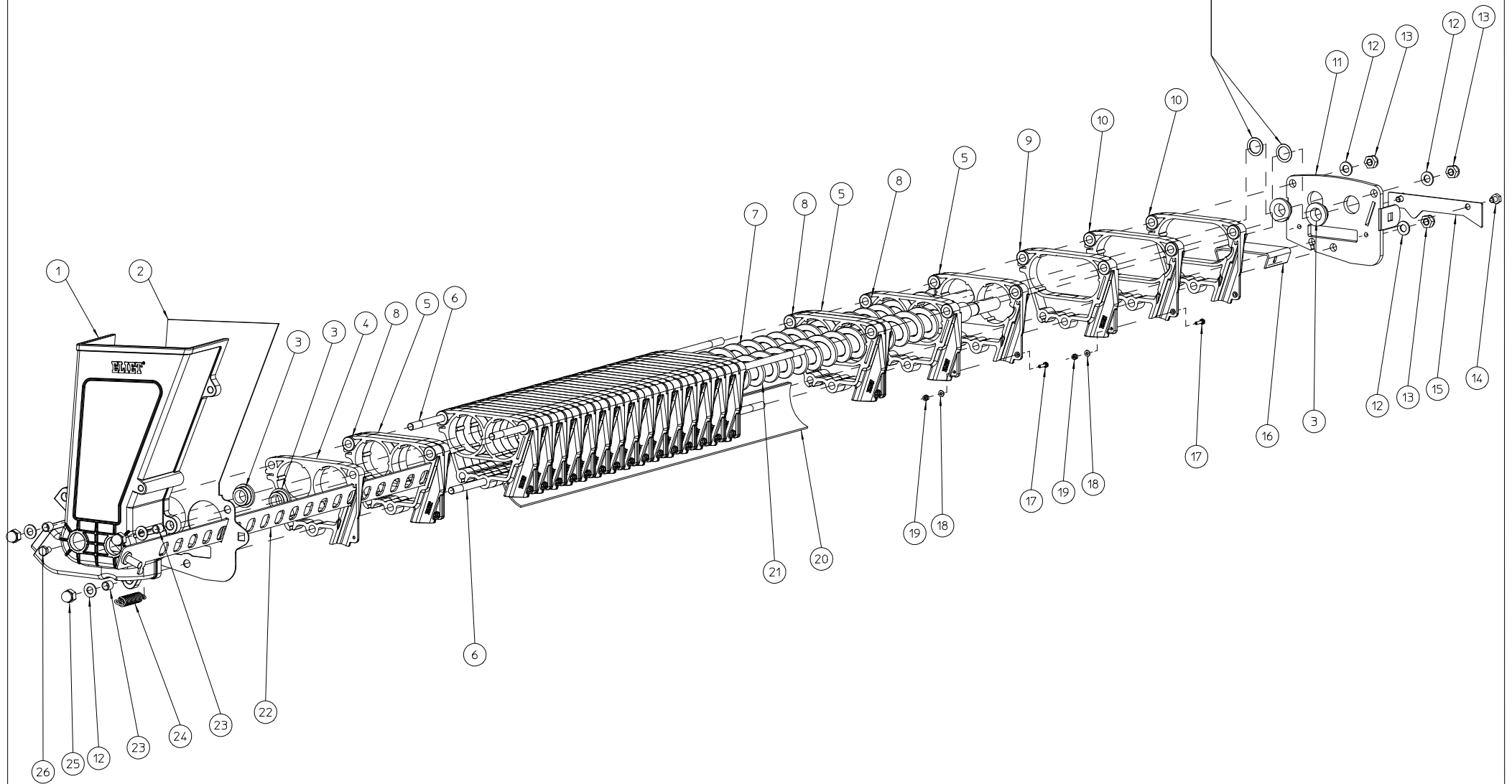
#	Order nr	article description	quantity
1	MPA 01 420 575	spacer ring	2
2	BR 112 201 500	nylon bushing with collar (20/24/30x15/2)	2
3	BK 155 250 630	cable 2,5x 49 x 630mm	1
4	BS 502 000 600	self locking nut m6 din 985	5
5	BS 531 000 600	washer m6 din 125	5
6	BL 801 101 500	bearing + flanges aspfl 202	2
7	BS 554 100 616	bolt m6x16 din 603	4
8	BV 925 000 010	compression spring 1,3 x 11 x 33,6	1
9	BR 112 060 800	nylon bushing with collar (6/10/15x8.5/2)	1
10	MPA 01 420 565	rubber roller	2
11	MPA 01 420 570	drive shaft roller	1
12	BA 240 303 416	wheel clutch drive system	2
13	BH 813 080 010	v-ring 80 a	1



ELIET DZC600 --- BLADE SHAFT						
NO	MMA 01 420 420	REV	2	DATE	2019/10/01	

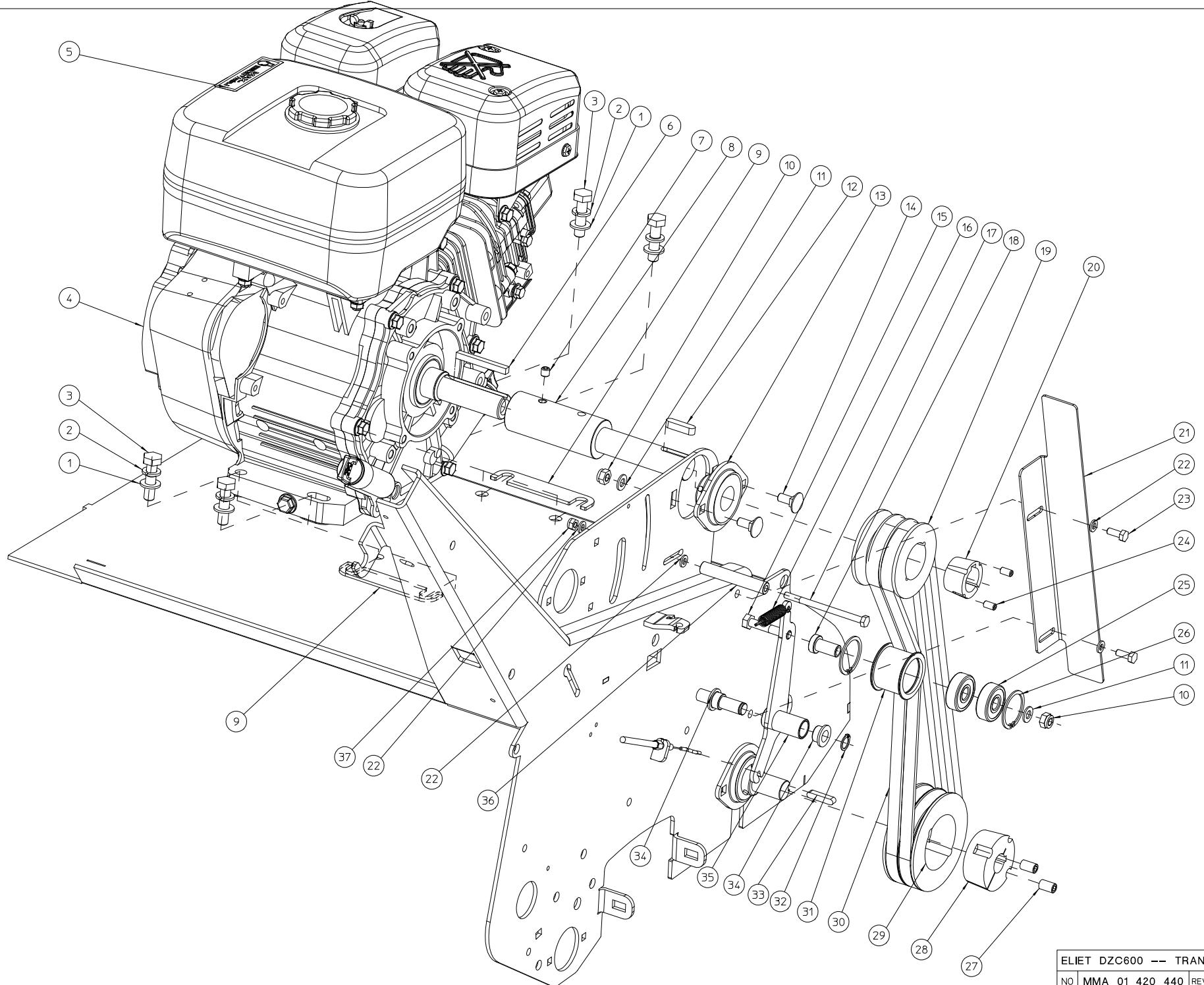
#	Order nr	article description	quantity
1	MPA 01 420 050	support washer blade left	1
2	BB 001 000 200	retaining ring 20 din 471	1
3	BS 554 100 820	bolt m8x20 din 603	2
4	BL 801 102 002	bearing + flanges ucpfl 204	2
5	BS 036 002 005	fitting ring 20x28x0.5mm din 988	1
6	BS 036 002 010	fitting ring 20x28x1mm din 988	1
7	BS 532 008 254	washer m8x25x2	1
8	BS 512 170 816	bolt left hand thread m8 x 1.25	1
9	BR 930 040 090	plastic housing with grid	1
10	BS 531 000 600	washer m6 din 125	3
11	BS 512 000 620	bolt m6x20 din 933	3
12	MPA 01 420 135	fan helix	1
13	BS 502 000 800	self locking nut m8 din 985	61
14	BS 531 000 800	washer m8 din 125	59
15	BS 512 000 820	bolt m8x20 din 933	57
16	MPA 01 420 055	support washer blade right	1
17	BS 501 902 200	nut m22x1.50 din 439	1
18	MPA 01 420 265	knife plate	38
19	BU 102 200 300	loose blade dzc 600	57
20	MPA 01 420 035	spacer knife	19
21	MPA 01 420 060	spacer knife plate	18
22	MPA 01 420 045	blade shaft	1
23	BU 402 300 157	SET 57 VITI+ LAME DZC600 PSB	1
23	BU 402 303 357	SET 57 VITI+LAME AL CARBURO DZC600	1

Eventuele speling assen neutraliseren met:
 Passchijf BS 036 001 505 en /of BS 036 001 510



ELIET DZC600 --- SEEDING UNIT					
NO	MMA 01 420 430	REV	3	DATE	2019/10/01

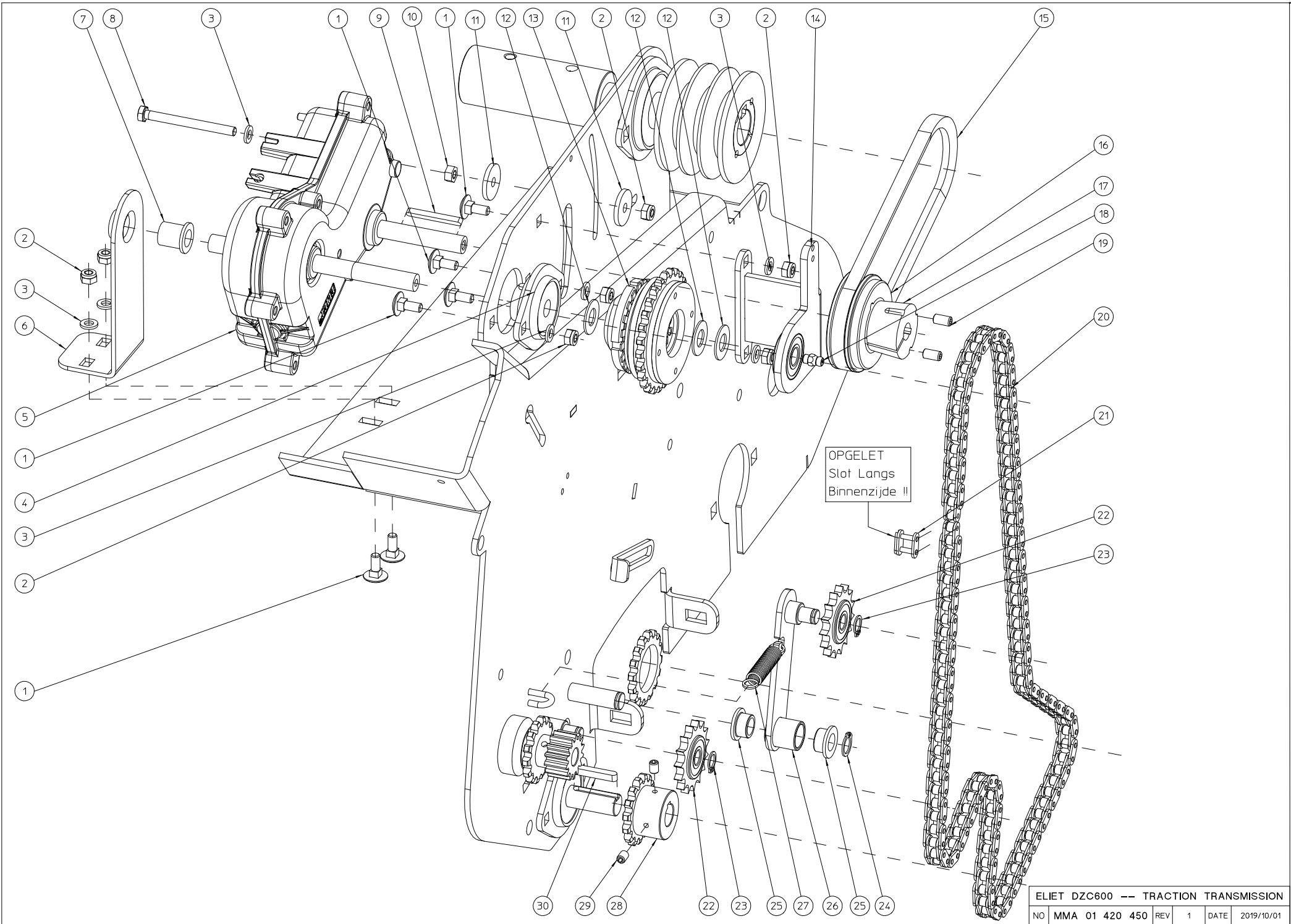
#	Order nr	article description	quantity
1	BR 930 040 100	plastic seedtreter dosing unit	1
2	MPA 01 420 475	seed funnel side plate	1
3	BR 112 151 090	nylon bushing with collar (15/21/27x10/3)	4
4	BR 930 040 050	end seedunitunit	1
5	BR 930 040 030	seedunit right	18
6	MPA 01 420 070	clamprod	3
7	MPA 01 420 205	archimedes' screw drain	1
8	BR 930 040 040	seedunit left	18
9	BR 930 040 070	dispensing unit right	1
10	BR 930 040 060	dispensing unit left	2
11	MPA 01 420 075	closing plate right dosing unit	1
12	BS 531 000 800	washer m8 din 125	6
13	BS 502 000 800	self locking nut m8 din 985	3
14	BS 512 000 608	bolt m6x8 din 933	2
15	MPA 01 420 180	seal plate air duct	1
16	MPA 01 420 230	u support metering unit	1
17	BS 512 000 312	bolt m3x12 din 933	19
18	BS 531 000 300	washer m3 din 125	19
19	BS 502 000 300	self locking nut m3 din 985	19
20	BY 431 306 059	pvc strip Ø5x60x595	1
21	MPA 01 420 270	input seed auger	1
22	MPA 01 420 490	dosing plate	1
23	MPA 01 420 800	spacer bushing	3
24	BV 925 000 030	pull spring 1,8 x 13 x 57	1
25	BS 505 500 800	nut m8 din 1587	3
26	BS 912 000 610	bolt m6x10 din 933 - red	1



ELIET DZC600 -- TRANSMISSION OF KNIVES

NO	MMA 01 420 440	REV	2	DATE	2019/10/01
----	----------------	-----	---	------	------------

#	Order nr	article description	quantity
1	BS 531 001 000	washer m10 din 125	4
2	BS 533 001 000	lock washer m10 din 127b	4
3	BS 511 001 040	bolt m10x40 din 931	4
4	BM 204 109 000	subaru ex27	1
5	BQ 505 010 020	sticker max 2800 rpm 90x25	1
6	BB 342 060 657	key 6.35x6.35x57 din 6880	1
7	BS 023 000 808	set screw m8x8 din 916	1
8	MPA 01 350 125	extention engineshaft	1
9	MPA 01 420 445	motor thickness	2
10	BS 502 000 800	self locking nut m8 din 985	3
11	BS 531 000 800	washer m8 din 125	3
12	BB 351 080 732	key 8x7x32 din 6885a	1
13	BL 801 102 500	bearing + flanges aspfl 205	1
14	BS 554 100 820	bolt m8x20 din 603	2
15	BS 511 000 841	bolt m8x45 din 931	1
16	BV 011 011 005	spring 1x11x55	1
17	BS 511 000 649	bolt m6x90 din 931	1
18	MPA 01 350 040	spacer belt tightener galvanized	1
19	BA 562 707 130	pulley spa iii 71 tl1108	1
20	BB 501 112 500	taper lock tl 1108-25	1
21	MPA 01 420 255	belt catcher	1
22	BS 531 000 600	washer m6 din 125	4
23	BS 512 000 616	bolt m6x16 din 933	2
24	BB 501 306 130	set screw 1/4"x1/2"	2
25	BL 001 203 703	bearing 6301 2rz	2
26	BB 002 000 370	retaining ring 32 din 472	2
27	BB 501 310 160	set screw 3/8"x5/8"	2
28	BB 501 132 000	taper lock tl 1610-20	1
29	BA 562 709 521	pulley spa ii 95 tl1610	1
30	BA 527 709 910	belt 4l 330	2
31	MPA 01 350 030	pressure roller belt tightener	1
32	BB 001 000 120	retaining ring 12 din 471	1
33	BB 351 060 630	key 6x6x30 din 6885a	1
34	BR 112 121 090	nylon bushing with collar (12/16/22x10/2)	2
35	MPA 01 420 515	support pressure roller	1
36	MPA 01 420 735	tube belt catcher	1
37	BS 502 000 600	self locking nut m6 din 985	1

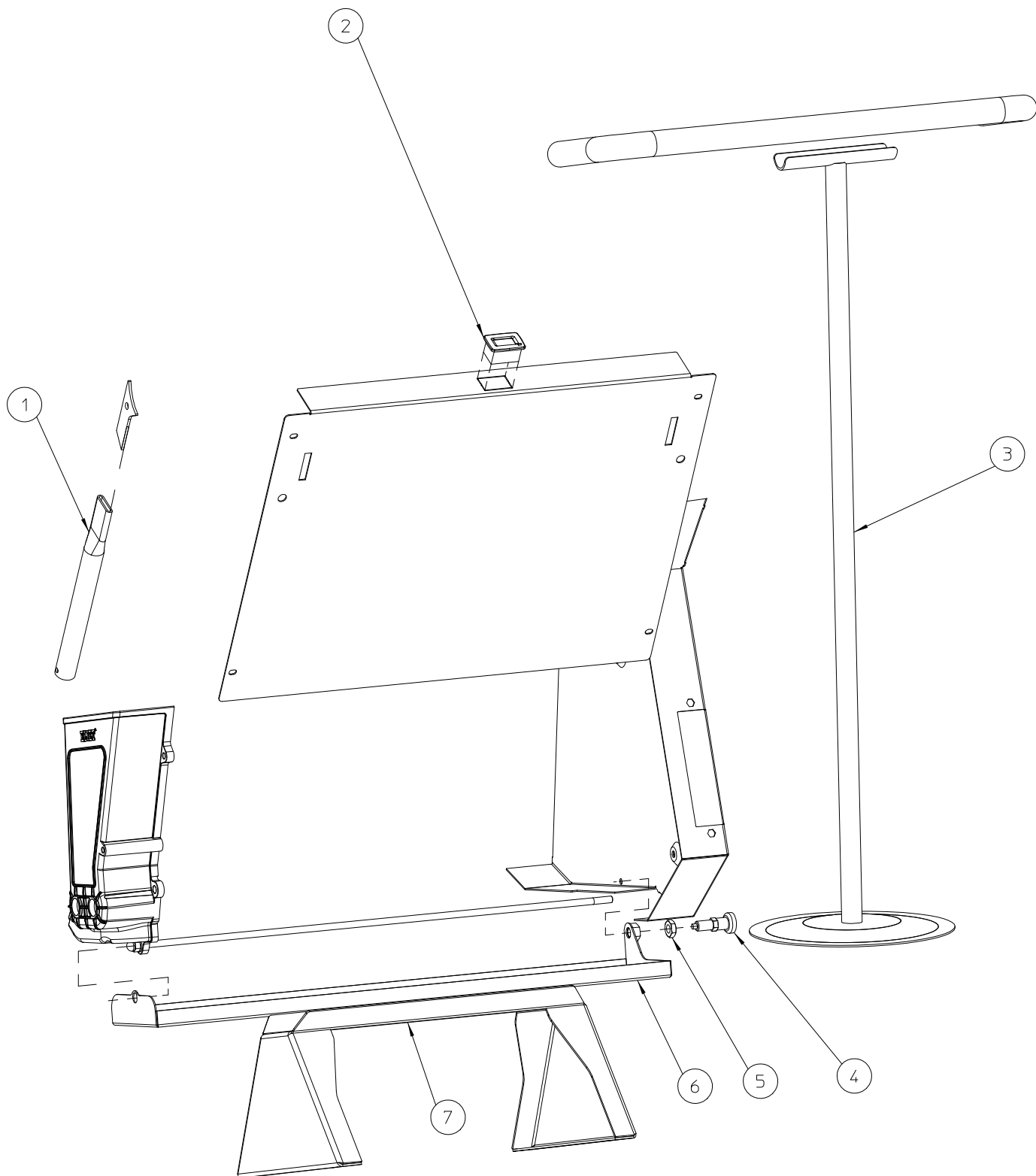


OPGELET
Slot Langs
Binnenzijde !!

ELIET DZC600 -- TRACTION TRANSMISSION

NO	MMA 01 420 450	REV	1	DATE	2019/10/01
----	----------------	-----	---	------	------------

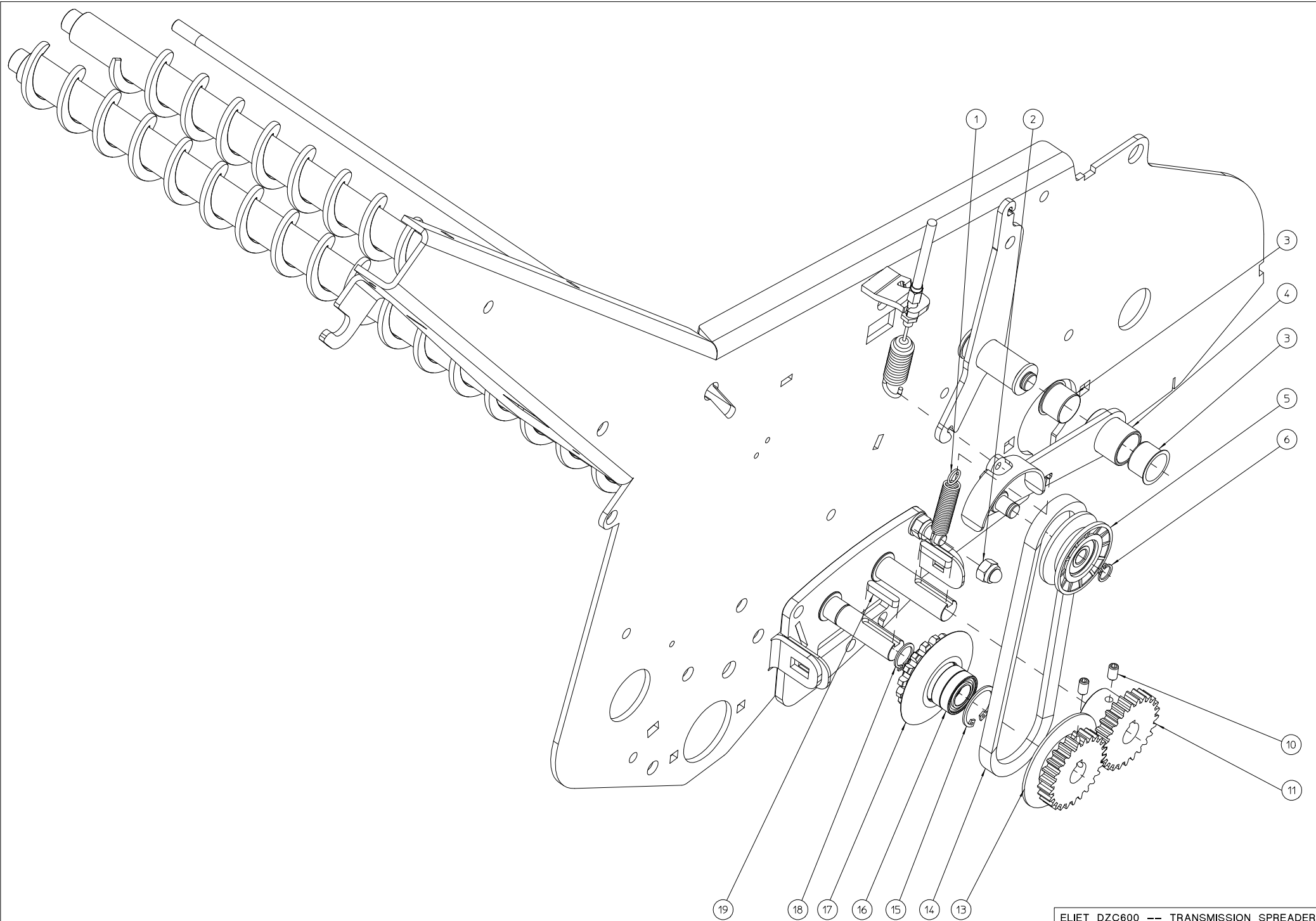
#	Order nr	article description	quantity
1	BS 554 100 616	bolt m6x16 din 603	6
2	BS 502 000 600	self locking nut m6 din 985	7
3	BS 531 000 600	washer m6 din 125	7
4	BL 801 101 200	bearing + flanges aspfl 201	1
5	BA 670 405 405	reduction gearboxes e600 compactor	1
6	MPA 01 350 135	support gear box	1
7	BR 112 121 900	nylon bushing with collar (12/16/21x19/2)	1
8	BS 512 000 645	bolt m6x65 din 933	1
9	BB 351 040 440	key 4x4x40 din 6885a	1
10	BS 501 000 600	nut m6 din 934	1
11	BS 532 006 276	washer m6x27x3	2
12	BR 111 120 100	nylon bushing (12.2x24x1.3)	3
13	BA 240 107 051	slip coupling 1.70-df t2 17-60nm	1
14	MPA 01 420 480	bearing support	1
15	BA 521 404 870	belt z 487	1
16	BA 561 706 310	pulley spz 63 tl1108	1
17	BB 501 111 200	taper lock tl 1108-12	1
18	BY 100 106 100	grease fitting m6 din 71412	1
19	BB 501 306 130	set screw 1/4"x1/2"	2
20	BA 101 125 020	chain simplex 3/8"x7/32" 125l	1
21	BA 151 200 000	connecting chain link simplex 3/8"x7/32"	1
22	BA 198 010 150	sprocket simplex 3/8"x7/32" 15t + bearing	2
23	BB 001 000 100	retaining ring 10 din 471	2
24	BB 001 000 120	retaining ring 12 din 471	1
25	BR 112 121 090	nylon bushing with collar (12/16/22x10/2)	2
26	MPA 01 420 110	support chain spanner	1
27	BV 011 311 005	spring 1,3x11x55	1
28	BA 171 015 150	sprocket simplex 3/8"x7/32" 15t	1
29	BS 023 000 608	set screw m6x8 din 916	2
30	BB 351 050 532	key 5x5x32 din 6885a	1



ELIET DZC600 -- OPTIONS

NO	MMA 01 420 460	REV	1	DATE	2019/10/01
----	----------------	-----	---	------	------------

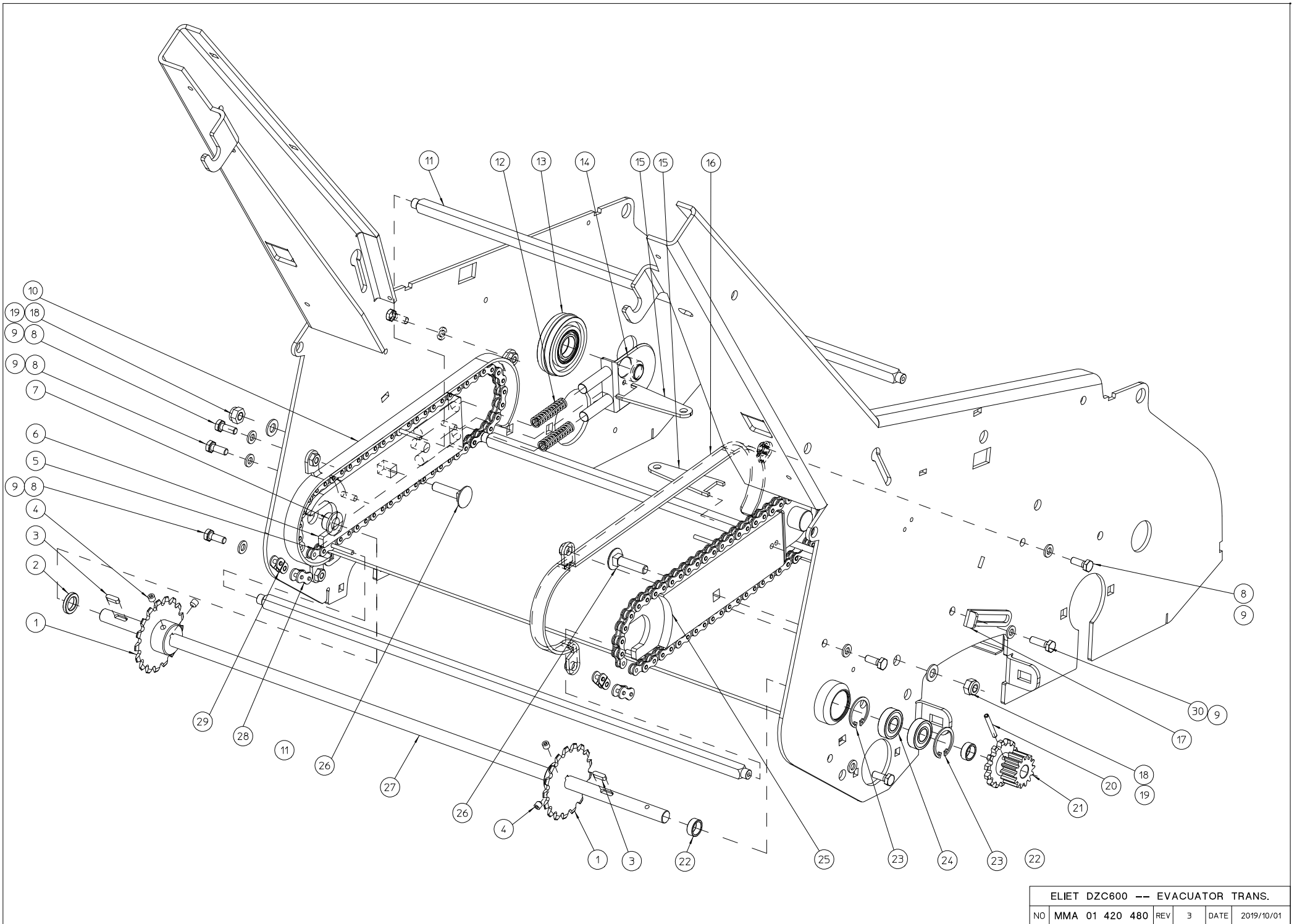
#	Order nr	article description	quantity
1	MPA 01 350 625	knife	1
2	BE 412 430 000	maintenance meter	1
3	MPA 01 420 730	machine lifting stand	1
4	BN 000 212 550	locking bolts with locking groove	1
5	BS 501 901 202	nut m12x1 din 439b	1
6	MPA 01 420 495	seed measuring tray	1
7	MPA 01 420 220	easy clean	1



ELIET DZC600 -- TRANSMISSION SPREADER

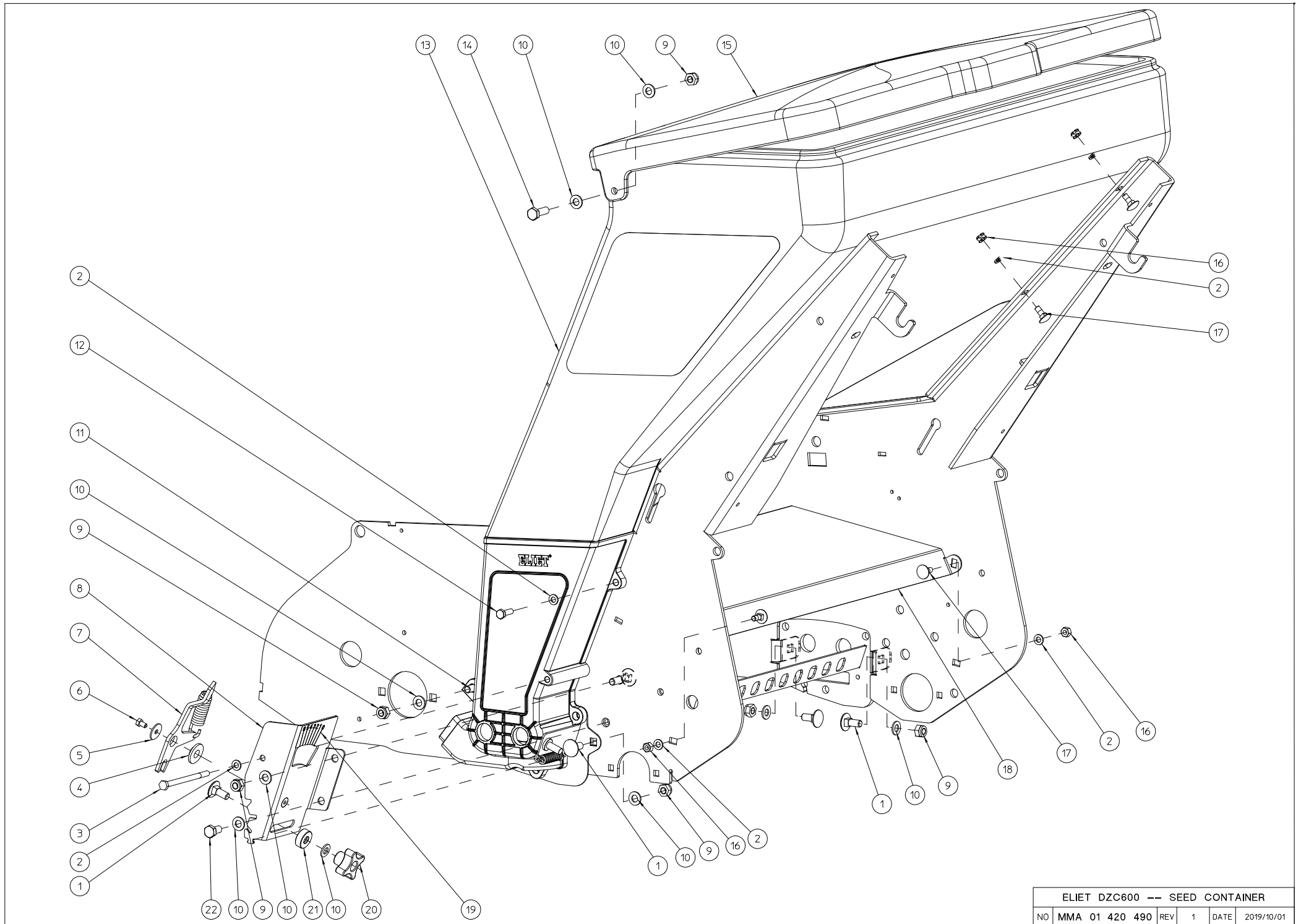
NO	MMA 01 420 470	REV	2	DATE	2019/10/01
----	----------------	-----	---	------	------------

#	Order nr	article description	quantity
1	BV 011 311 005	spring 1,3x11x55	1
2	BS 505 800 800	nut m8 din 986	1
3	BR 112 201 590	nylon bushing with collar	2
4	MPA 01 420 520	clutch arm seed auger	1
5	BA 599 094 350	idler roller vØ50	1
6	BB 001 000 100	retaining ring 10 din 471	1
10	BS 023 000 610	set screw m6x10 din 916	4
11	BA 602 002 502	gear m2 25t l=31mm	1
13	MPA 01 420 320	gearwheel 25t + 1/2 pully	1
14	BA 521 404 870	belt z 487	1
15	BB 002 000 280	retaining ring 28 din 472	1
16	BL 001 502 803	bearing 6902 llu	2
17	MPA 01 420 315	sprocket wheel 3/8" 16t + 1/2 pully	1
18	BB 001 000 150	retaining ring 15 din 471	1
19	BB 351 050 525	key 5x5x25 din 6885a	2



ELIET DZC600 -- EVACUATOR TRANS.					
NO	MMA 01 420 480	REV	3	DATE	2019/10/01

#	Order nr	article description	quantity
1	BA 181 017 121	sprocket 17t 1/2"x 1/8" simplex	2
2	MPA 01 420 380	spacer ring	1
3	BB 351 040 414	key 4x4x14 din 6885a	2
4	BS 023 000 606	set screw m6x6 din 916	4
5	BA 111 053 010	chain 1/2' x 1/8' 53 s	2
6	MPA 01 420 500	chain support plate	1
7	BR 112 121 090	nylon bushing with collar (12/16/22x10/2)	1
8	BS 512 000 616	bolt m6x16 din 933	7
9	BS 531 000 600	washer m6 din 125	9
10	MPA 01 420 745	left chain cover	1
11	MPA 01 420 385	wiper rod	3
12	BV 925 000 020	compression spring 361,5 x 10 x 42 inox	4
13	BR 910 000 940	tensioner	2
14	MPA 01 420 410	support tension roller	2
15	MPA 01 420 505	assembly tool	2
16	MPA 01 420 740	right chain cover	1
17	MPA 01 420 590	adjustable end of stroke idler sprocket	1
18	BS 502 000 800	self locking nut m8 din 985	1
19	BS 531 000 800	washer m8 din 125	1
20	BB 120 040 300	locking 4x30 din 1481	1
21	MPA 01 420 610	gear/chain sprocket -14t/14t	1
22	MPA 01 420 550	spacer bushing	2
23	BB 002 000 280	retaining ring 28 din 472	2
24	BL 001 202 803	bearing 6001 zz	2
25	MPA 01 420 415	support chain right	1
26	BS 554 100 835	bolt m8x35 din 603	2
27	MPA 01 420 545	drive shaft cleaning system	1
28	BA 111 200 000	connecting chain link simplex 1/2' x 1/8'	2
29	BA 111 400 000	connecting chain link simplex (1/2) 1/2' x 1/8'	2
30	BS 512 000 620	bolt m6x20 din 933	1



ELIET DZC600 -- SEED CONTAINER					
NO	MMA 01 420 490	REV	1	DATE	2019/10/01

#	Order nr	article description	quantity
1	BS 554 100 820	bolt m8x20 din 603	4
2	BS 531 000 600	washer m6 din 125	9
3	BS 511 000 649	bolt m6x90 din 931	1
4	BR 112 100 600	nylon bushing with collar (10/13.5/25x6/2.5)	1
5	BS 532 005 202	washer m5x20x1.5	1
6	BS 512 000 508	bolt m5x8 din 933	1
7	MPA 01 420 510	seed flow indicator	1
8	MPA 01 420 485	pivot support dosing plate	1
9	BS 502 000 800	self locking nut m8 din 985	7
10	BS 531 000 800	washer m8 din 125	11
11	BS 554 100 825	bolt m8x25 din 603	1
12	BS 512 000 620	bolt m6x20 din 933	2
13	BR 930 040 010	seed container	1
14	BS 512 000 825	bolt m8x25 din 933	2
15	BR 930 040 020	cover seed container	1
16	BS 502 000 600	self locking nut m6 din 985	6
17	BS 554 100 616	bolt m6x16 din 603	6
18	MPA 01 420 140	protection seed unit	1
19	BQ 501 251 090	sticker position flat doser	1
20	BN 630 808 400	lob knob 188-40 m8	1
21	MPA 01 420 225	seed flow adjustment bushing	1
22	BS 512 000 816	bolt m8x16 din 933	1